

**Announcing 'Techno-Ocean 2021'
the re-named Techno-Ocean 2020 (postponed)**

International Conference & Exhibition

Techno-Ocean2021

- Meet at Ocean -

The only international convention in Japan
covering every field related to sea and ocean

~Call for Exhibits~

December 9_(Thu.) - 11_(Sat.), 2021

Kobe International Exhibition Hall No.2

Organizer : Techno-Ocean Network

<https://www.techno-ocean2021.jp>

■ The Techno-Ocean convention will be different this time.

For the first time ever, instead of the usual 'Technical Sessions' (a program of presentations) there will be a session of several **panel discussions**. These discussions will draw expertise and influencers from the industry-academia-government network formed by the Techno-Ocean Network. (A separate registration fee will be charged)

Overall Theme : **Ocean-related SDGs**

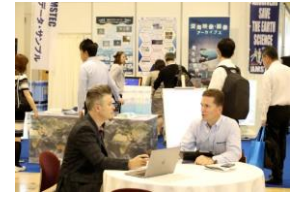
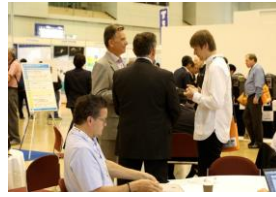
Topics (planned): Carbon-neutrality Related to Oceans, 'Underwater Robots and Resources' - from Exploration to Development, Industrialization Strategies for Growth of Aquaculture, Offshore Wind Technologies and Business, Career Paths for Ocean-related Professionals.

■ Why Exhibit? – The Benefits!

1. Exposure to industry-academia-government decision-makers from multiple fields related to seas and oceans, all gathered in Kobe.



2. An effective space for product and technology promotion, network-building, business matching, and exchanging ideas and news.



3. Includes a stage platform for exhibitors to deliver presentations.



4. Includes PR activities to share information about your product / technology, namely:

- (1) Dedicated pages on the Techno-Ocean 2021 website for exhibitor information and exhibition contents.
- (2) Promotional e-mails with exhibition information to oceans-related companies, universities, research institutes, governmental offices, and other related specialists.

※ All the above photos were taken at OCEAN'S18 MTS/IEEE Kobe/Techno-Ocean 2018.

■ Exhibition Options and Prices

Type		Early Bird: before 31 May, 2021	Regular: after 1 June, 2021
Package	L type 3m×3m	¥320,000	¥350,000
	S type 2m×2m	¥180,000	¥200,000
Space type (Minimum 27㎡)		¥20,000/㎡	¥20,000/㎡

※Exhibitor fees do not include consumption tax(10%).

※S type are available to educational or research institutions.

【 Package booth 】

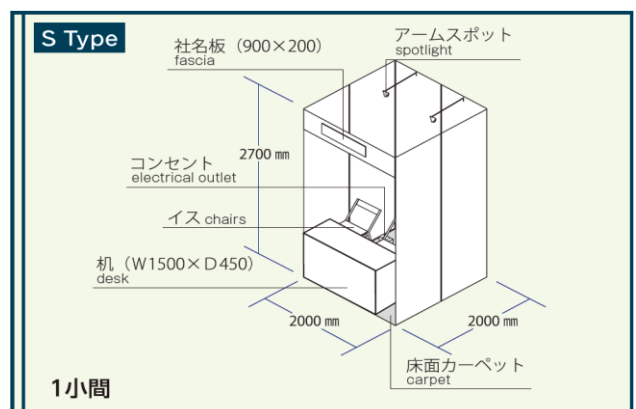
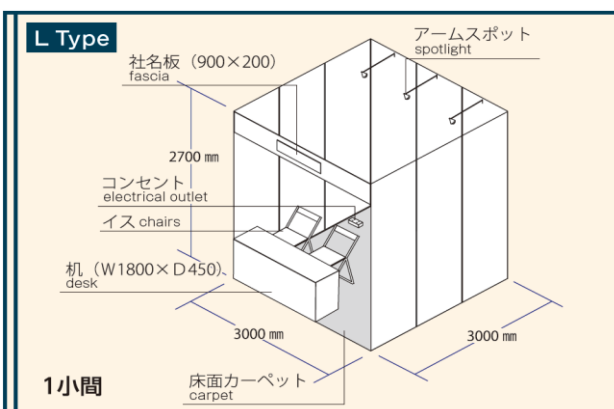
L Type (9㎡) and S Type (4㎡)

Includes:

Space fee/ Wall panels/ Carpet/Fascia with company name (Japanese and English) / 1 Desk / 2Chairs / Spotlights (3 for L type, 2 for S type) / Electrical outlet (including consumption 100V 500W)

【 Raw Space 】

Includes: raw space only(minimum 27sqm)



Contact : Techno-Ocean 2021 Exhibition Secretariat (c/o Kobe Convention Bureau)

6-9-1, Minatojima-nakamachi, Chuo-ku, Kobe 650-0046, JAPAN

TEL:+81-78-303-0029 FAX:+81-78-302-6475 E-mail: ex-techno-ocean@kcva.or.jp